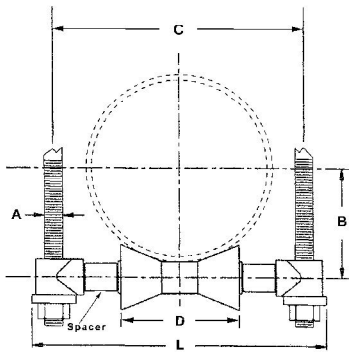


**FIG. 277SS**  
**ADJUSTABLE TWO ROD ROLLER HANGER,**  
**304 STAINLESS STEEL**



- Material:** All 304 stainless steel construction.
- Service:** Designed for the suspension of pipe where longitudinal movement of pipe may occur due to expansion and contraction and where vertical adjustment may be necessary. Excellent corrosion resistance.
- Approvals:** Complies with Federal Specification WW-H-171-E (Type# 42), A-A-1192 A (Type# 41) and Manufacturers' Standardization Society MSS SP-58 and SP-69 (Type# 41).
- Ordering:** Specify roller size and figure number. Please remember to consider insulation thickness when sizing rollers.

| Size No. | A               | B                 | C                  | D               | L                 | Cross Rod Dia.  |
|----------|-----------------|-------------------|--------------------|-----------------|-------------------|-----------------|
| 4        | $\frac{3}{4}$   | $2 \frac{13}{16}$ | $6 \frac{3}{4}$    |                 | $8 \frac{9}{16}$  | $\frac{3}{4}$   |
| 6        | $\frac{3}{4}$   | $3 \frac{15}{16}$ | $9 \frac{9}{16}$   | $3 \frac{3}{4}$ | $11 \frac{7}{16}$ | $\frac{3}{4}$   |
| 8        | $\frac{7}{8}$   | $5 \frac{1}{4}$   | $11 \frac{15}{16}$ |                 | $14 \frac{1}{8}$  | $\frac{7}{8}$   |
| 10       | $\frac{7}{8}$   | $6 \frac{3}{8}$   | $14 \frac{1}{16}$  | 6               | $16 \frac{1}{4}$  | $\frac{7}{8}$   |
| 12       | 1               | $7 \frac{7}{16}$  | $16 \frac{5}{16}$  |                 | $19 \frac{3}{4}$  | $1 \frac{1}{8}$ |
| 14       | 1               | $8 \frac{3}{16}$  | $17 \frac{3}{4}$   | 8               | $20 \frac{3}{16}$ | $1 \frac{1}{8}$ |
| 16       | $1 \frac{1}{4}$ | $9 \frac{5}{16}$  | $20 \frac{3}{4}$   |                 | $23 \frac{9}{16}$ | $1 \frac{1}{4}$ |
| 18       | $1 \frac{1}{4}$ | $10 \frac{3}{8}$  | $21 \frac{7}{8}$   |                 | $24 \frac{5}{8}$  | $1 \frac{1}{4}$ |
| 20       | $1 \frac{1}{4}$ | $11 \frac{5}{16}$ | $24 \frac{1}{4}$   | 9               | $27 \frac{1}{16}$ | $1 \frac{1}{4}$ |