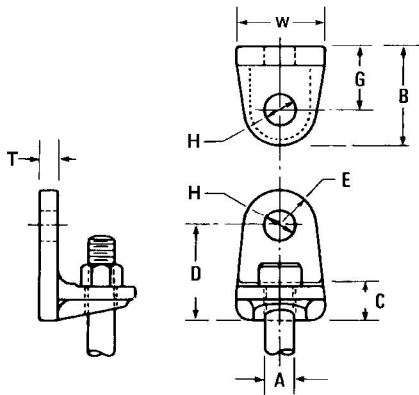


FIG. 202
SIDE BEAM BRACKET



- Material:** Malleable iron.
- Finish:** Plain.
- Service:** Designed for attaching hanger rod to the side of steel or wooden beams.
- Approvals:** Complies with Federal Specifications WW-H-171-E (Type# 35), A-A-1192 A (Type# 35), and MSS SP-58 and SP-69 (Type# 35).
- Ordering:** Specify rod size and figure number.

SIZE A	PIPE SIZE	B	C	D	E	G	H	T	W	WGT EACH (lbs)
3/8-16	1/2 to 2	1 ⁵ / ₁₆	9/16	1 1/2	1/2	1 ⁵ / ₁₆	7/16	1/4	1 ⁵ / ₁₆	0.27
1/2-13	2 1/2 to 3 1/2	1 ¹³ / ₁₆	5/8	1 7/8	5/8	1 ³ / ₁₆	9/16	5/16	1 ⁵ / ₈	0.48