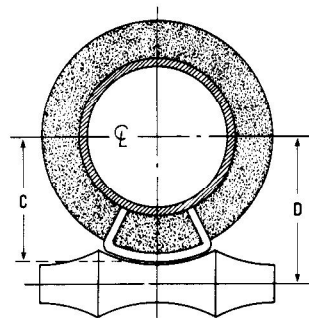


FIG. 1900 (1" INSULATION)
FIG. 1901 (1½" INSULATION)
FIG. 1902 (2" INSULATION)
FIG. 1903 (2½" INSULATION)
FIG. 1904 (3" INSULATION)
FIG. 1905 (4" INSULATION)
PIPE COVERING PROTECTION SADDLES

- Material:** Carbon steel.
- Finish:** Plain, electro-galvanized.
- Service:** Designed for use on insulated high temperature pipe lines to protect insulation from damage and minimize heat loss.
- Approvals:** Complies with Federal Specification WW-H-171-E (Type# 40A and 40B), A-A-1192 A (Type# 39A and 39B) and Manufacturers' Standardization Society MSS SP 58 and SP 69 (Type#39A and 39B).
- Ordering:** Specify pipe size, insulation size and/or figure number.
- Notes:** All saddles are 12 inches long with side edges beveled in. Stainless steel and alloy saddles are available and priced on application.



SADDLE WITH ROLL

