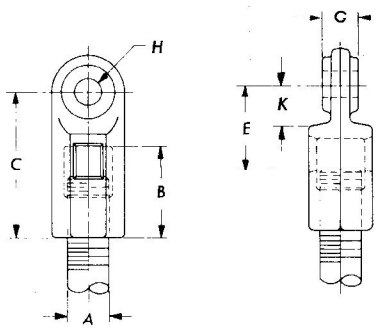


**FIG. 157**  
**EXTENSION PIECE**



**Material:** Malleable iron.  
**Finish:** Plain or electro-galvanized.  
**Service:** Designed for attaching hanger rod to various type of attachments. Allows a 1 inch vertical adjustment of the rod.  
**Ordering:** Specify rod size, figure number and finish.

SIZE A	PIPE SIZE	B	C	E	G	H	K	WGT EACH (lbs)	MAX REC LOAD (lbs)
$\frac{3}{8}$ -16	$\frac{1}{2}$ to 2	$1\frac{5}{16}$	$2\frac{1}{16}$	$1\frac{3}{16}$	$\frac{1}{2}$	$\frac{1}{2}$	$\frac{9}{16}$	0.19	610
$\frac{1}{2}$ -13	$2\frac{1}{2}$ to $3\frac{1}{2}$	$1\frac{7}{16}$	$2\frac{5}{16}$	$1\frac{5}{16}$	$\frac{5}{8}$	$\frac{1}{2}$	$1\frac{1}{16}$	0.41	1130
$\frac{5}{8}$ -11	4 to 5	$1\frac{9}{16}$	$2\frac{7}{16}$	$1\frac{7}{16}$	$\frac{5}{8}$	$\frac{1}{2}$	$\frac{3}{4}$	0.42	1810
$\frac{3}{4}$ -10	6	$1\frac{7}{8}$	$2\frac{7}{8}$	$1\frac{9}{16}$	$\frac{5}{8}$	$\frac{1}{2}$	$\frac{7}{8}$	0.68	2710
$\frac{7}{8}$ -9	8 to 12	2	$3\frac{1}{16}$	$1\frac{11}{16}$	$\frac{3}{4}$	$\frac{9}{16}$	$\frac{7}{8}$	0.78	2950